

haul-off with *cutter* **BA+S 700**



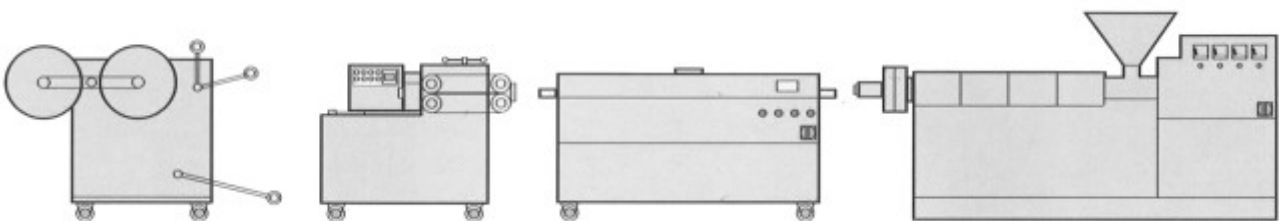
compact design
flexible
precise cutting
easy operation
low maintenance

High speed by valuable
combination of actual
technology

Durable machine for pulling and cutting plastic and rubber materials. The product is pulled by the haul-off and measured in length. A knife rotating between two bushes profiled to the product provides a straight cut.

Up to 700 cuts per minute the knife works in the start/stop-operation, for higher cutting frequency the knife can be switched to continuous rotating mode.

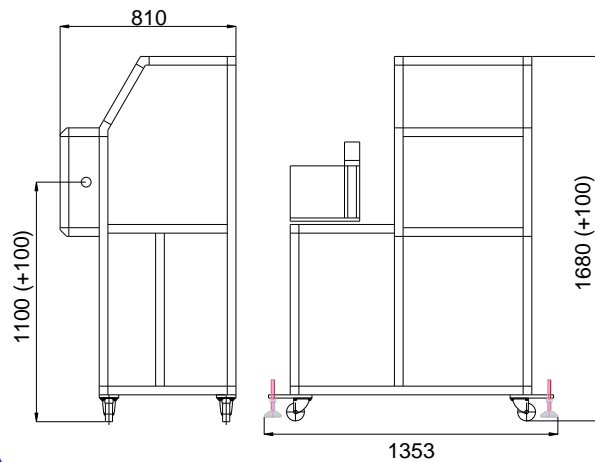
Due to short changing times for bushes and knife, a high flexibility and availability are guaranteed.



haul-off with *cutter* **BA+S 700**



Dimensions:



characteristics

- infinitely variable pulling speed over servo-motor
- puller belts with coating for high friction value for optimal transmission of the tractive force
- automatic centering of the puller belts to the center of the cutting bushes
- pneumatic closing and opening of the puller belts
- contact pressure adjustable by pressure control valve
- integrated, high resolution length measurement for small length tolerance (+/- 0,5 mm at 50 m/min)
- up to 700 cuts per minute in start/stop-operation, up to 3000 cuts per minute with rotating knife
- length measurement from 1 to 999999 mm
- batchcounter with signal, adjustable 1 to 999999 pieces
- combined plug socket (protected plug + 16A CEE) for other machines
- connection plug for remote operation of the haul-off (on/off, slower/faster)

technical data:

pulling speed	1,5-100 m/min
pulling force	1000 N (up to 75 m/min)
belt width	46,8 mm
contact length, ca.	470 mm
max. opening	40 mm
motor power haul-off	1,5 kW
max. cutting dimension	Ø 40 mm
motor power servo	2,0 kW
power supply	400 V
weight, ca.	290 kg

